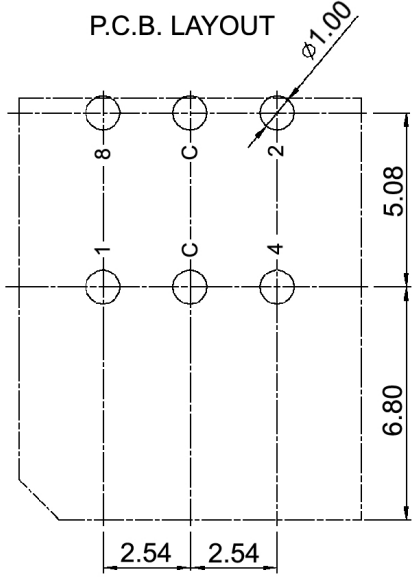


P.C.B. LAYOUT



Compliance: RohS III (2015/863/EU)

Tolerances: ≤ 10mm:		Date	Name
≥ 10mm:		08/07	dr
Material	02/21	dr	
Soldering conditions	01/11	dr	
IP rating	06/09	dr	
Operating temperature	11/08	dr	
Temperatures	01/08	dr	
<b>Modifications</b>	<b>Date</b>	<b>Name</b>	

**DRR 60016**

**knitter-switch**

**30 11 92**

Specifications:

Contact rating: switching: 150mA, 42V DC  
 non-switching: 200mA, 42V DC

Contact resistance: 80mOhm max.

Insulation resistance: 100MOhm min.

Mechanical life: 10 000 cycles

Operating force: 700gf max.

Operating temperature: -40°C to +85°C

Storage temperature: -40°C to +85°C

Soldering conditions: pre-heat: max. 120°C, max. 70sec.  
 wave soldering: max. 260°C, max. 10sec.

IP rating: IP67

Material: Cover: PA66, white  
 O-ring: silicone, black  
 Actuator: POM, gray  
 PCB: epoxy  
 Base: PA66, black  
 Terminal / contact: phosphor bronze, min. 0.07µm gold plated  
 over min. 0.1µm nickel

Hexadecimal

		Real coded				
		C	1	2	4	8
16 Positions	0	●				
	1	●	●			
	2	●		●		
	3	●	●	●		
	4	●			●	
	5	●	●		●	
	6	●		●	●	
	7	●	●	●	●	
	8	●				●
	9	●	●			●
	A	●		●		●
	B	●	●	●		●
	C	●			●	●
	D	●	●		●	●
	E	●		●	●	●
	F	●	●	●	●	●

Compliance: RohS III (2015/863/EU)

Tolerances: ≤ 10mm:		Date	Name	DRR 60016	30 11 92	Page 2/2
≥ 10mm:		08/07	dr			
Material	02/21	dr				
Soldering conditions	01/11	dr				
IP rating	06/09	dr				
Operating temperature	11/08	dr	<b>knitter-switch</b>			
Temperatures	01/08	dr				
Modifications	Date	Name				